

# **AGRISHIELD**

## **BERM SWEEPERS**

*for*

***SD, HD, and Terracing Vineyard Frames***

**OWNER'S & OPERATORS MANUAL**



**Phone: (209) 662-5063**

**Email: [Sales@AgrishieldLLC.com](mailto:Sales@AgrishieldLLC.com)**

## **TO OUR CUSTOMERS:**

Thank you for choosing AGRISHIELD. We are proud to deliver to you equipment of the highest quality. Regularly performed preventative maintenance will keep your equipment in the best working order possible. Please take the time to review this manual and understand the maintenance and operation before using your equipment.

## **WARRANTY**

AGRISHIELD warrants each new piece of equipment and parts manufactured by it to be free of defects in material and workmanship under normal use and service. The obligation of AGRISHIELD shall be limited to replacing any part which shall, within 1 year (1 season) after delivery to the original purchaser, be returned to AGRISHIELD with transportation charges prepaid and which an examination by AGRISHIELD discloses defective. This warranty does not obligate AGRISHIELD to bear the cost of labor, travel time or hauling in connection with the replacement or repair of the defective parts and in no event will be liable for consequential damages including but not limited to loss of crop, rental or substitute equipment or other commercial loss.

No warranties or representations made by persons other than representatives of AGRISHIELD expressly authorized in writing to do so shall be valid and binding upon AGRISHIELD. No dealer shall be authorized to bind AGRISHIELD in this respect.

AGRISHIELD makes no warranty with respect to component parts not manufactured by AGRISHIELD. This warranty shall not apply to any equipment which has been altered in any way outside of manufacturer's factory, or which has been subject to misuse, neglect or accident.

**This warranty is expressly in lieu of all other warranties and representations, expressed, implied, or statutory, including warranties of merchantability and fitness for a particular use, and all other liabilities or obligations on the part of AGRISHIELD, foreseeable or not.**

## **USERS'S RESPONSIBILITY**

It is the responsibility of the user to read the Operator's Manual and understand the safe and correct operating procedures as pertains to the operation of the product and to lubricate and maintain the product according to the maintenance schedule in the Operator's Manual.

## **WARRANTY SERVICE**

Warranty service may be obtained through and authorized dealer or AGRISHIELD service facility. Write or call: AGRISHIELD, 7507 N Podesta Ln, Linden, CA 95236, telephone (209) 662-5063.

## **CONTENTS**

<b>A. SAFETY INSTRUCTIONS.....</b>	<b>4</b>
<b>B. SPECIFICATIONS.....</b>	<b>5</b>
<b>C. INSTALLATION &amp; REMOVAL.....</b>	<b>6</b>
<b>D. CONFIGURATIONS &amp; ADJUSTMENTS.....</b>	<b>7</b>
<b>E. CONTROLS AND VALVES.....</b>	<b>10</b>
<b>F. OPERATING PROCEDURES .....</b>	<b>11</b>
<b>G. MAINTENANCE PROCEDURES AND SCHEDULES.....</b>	<b>12</b>
<b>H. TROUBLESHOOTING .....</b>	<b>13</b>

## **A. SAFETY INSTRUCTIONS**

### **IMPORTANT SAFETY NOTICE**

**Improper practices or carelessness can cause bodily injury or death.**

**Always instruct the operator in proper operating procedures. The operator must read and understand all safety instructions in the Owner's and Operator's Manual and those placed on the equipment.**

### **SAFETY INSTRUCTIONS**

- 1. Warning: Use of the berm sweepers can result in projectiles in the direction of the operator. For this reason, it is recommended to install the frame on tractors with an enclosed cabin. In the absence of an enclosed cabin, proper eye protection is required for safe operation.**
- 2. Warning: Make sure all personnel are clear of the frame prior to starting the tractor engine or motors.**
- 3. Warning: Stop tractor engine prior to making any manual adjustments or performing any service work on the frame.**
- 4. Warning: Stop tractor engine prior to clearing material from moving components on the implements.**
- 5. Warning: Always wear protective eye goggles when checking for hydraulic leaks. Do not check hydraulic lines for leaks with your hands. High pressure oil leaking through a small hole will penetrate the skin. This will cause serious bodily injury or death.**
- 6. Caution: Always replace safety labels and signs if they become illegible.**

## **B. SPECIFICATIONS**

**Hydraulic Oil**

**Hydraulic oil used in tractor or power pack**

## **C. INSTALLATION & REMOVAL**

**The berm sweepers can be installed on any of our SD, HD, or Terracing vineyard frames. Refer to the arm change procedure section of your frame's manual for instructions on connecting the arms to the frame.**

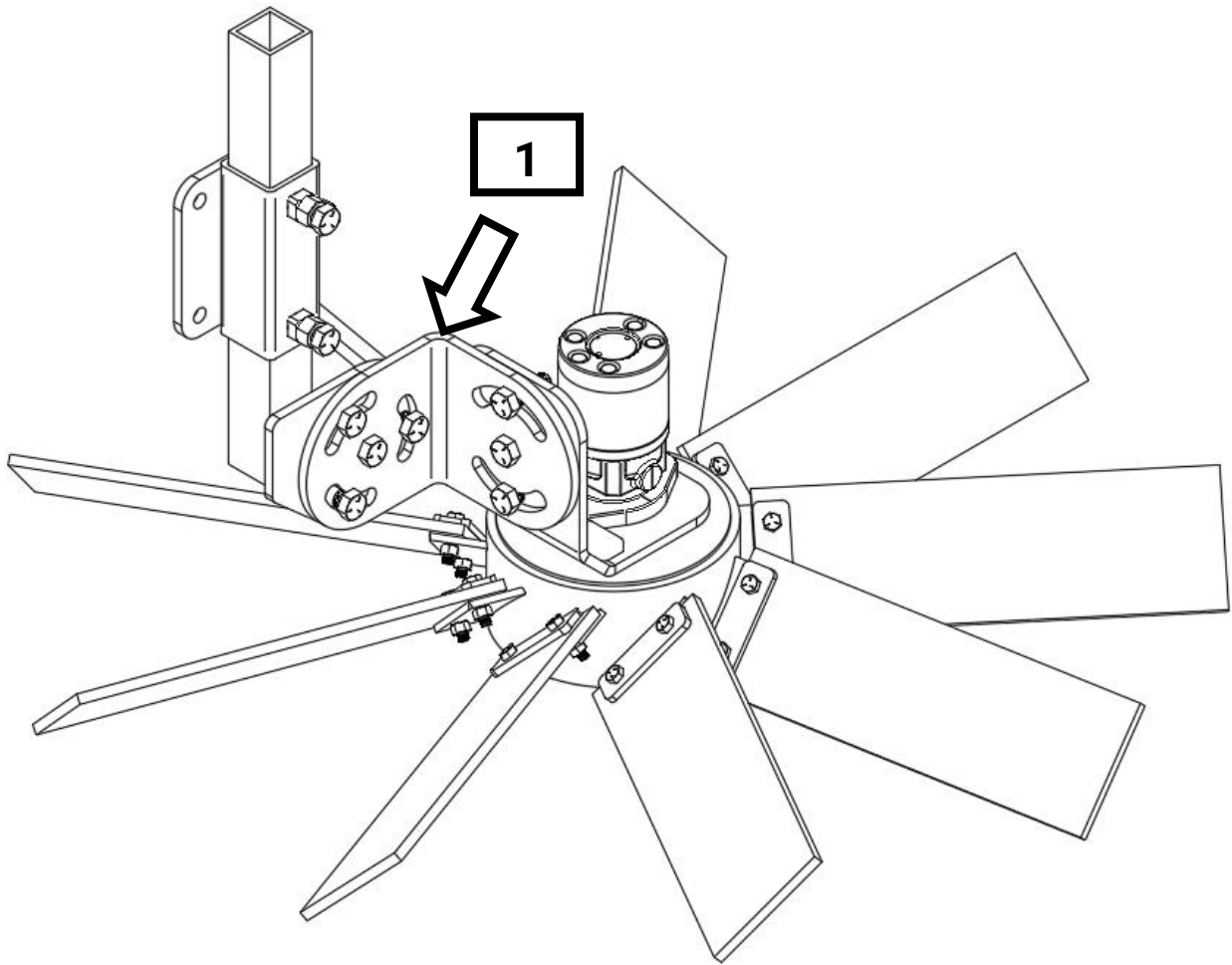
## **D. CONFIGURATIONS & ADJUSTMENTS**

**The berm sweepers can be adjusted in a number of ways to achieve your desired level of ground engagement and angularity. The following section describes and illustrates the adjustment points and possible configurations.**

**After making any adjustment, always check that the hydraulic hoses are clear of any potential snag points and have enough slack to allow for proper breakaway rotation or cylinder operation (if installed on frame). Where needed, use cable ties to secure hoses.**

## Head Angle Adjustments

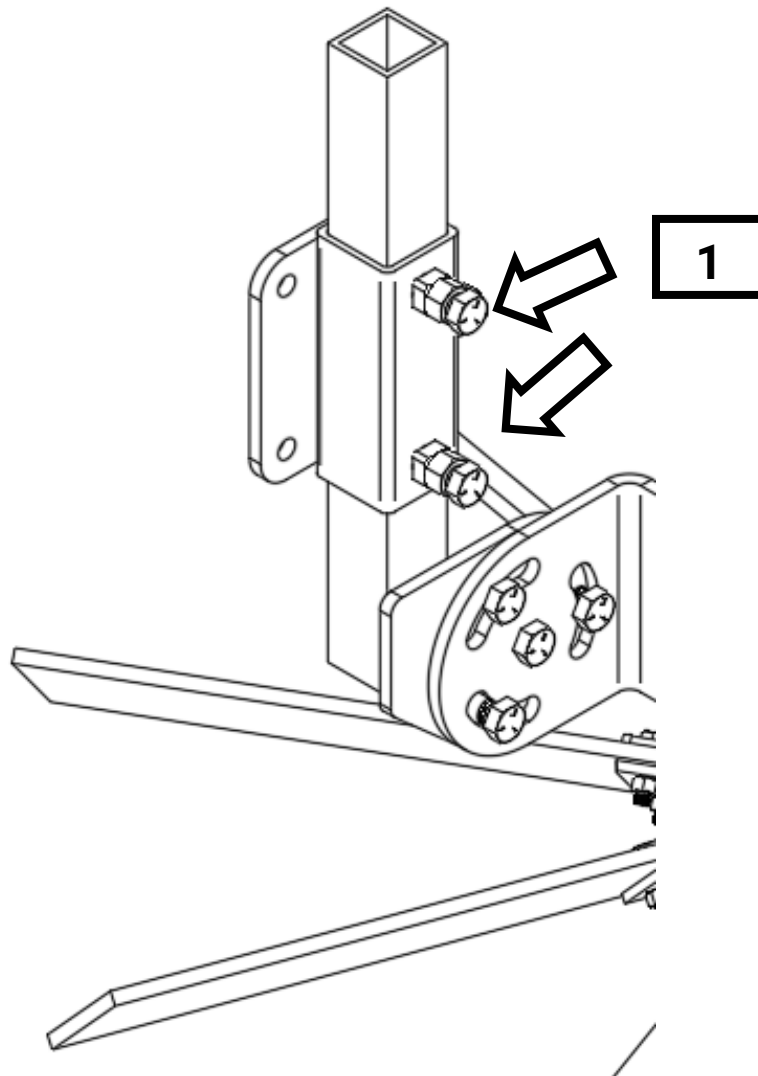
Sweeper heads can be tilted front to back and side to side. To adjust the head angle, loosen the bolts on the angle adjustment bracket (1), rotate the head to the desired angle, and re-tighten the bolts, ensuring that the head is securely held in place.





## Height Adjustment

The sweeper arms can be raised or lowered relative to the frame. To adjust, loosen the locking bolts and nuts (1) on the arm attachment bracket and move the inner square tube to the desired height, then re-tighten the bolts and locking nuts to secure.



## **E. CONTROLS AND VALVES**

**All implement controls and valves are integral to the frame. Refer to the controls and valves section of your frame's manual.**

## **F. OPERATING PROCEDURES**

**Do not allow anyone to operate the berm sweeper who has not been properly trained in its safe operation. Ensure that all personnel are at least 10 feet clear of the implement and tractor before starting the engine and during operation.**

**WARNING: Stop the tractor engine before making any adjustments to the trimmers.**

**Prior to operation the following items must be checked and/or adjusted to obtain maximum performance and avoid necessary wear and stoppages:**

- 1. Check that all moving components are free of debris that could block operation.**
- 2. Check hydraulic system for leaks and proper connections.**

### **Running the Berm Sweepers**

**Sweeper performance will depend on a number of factors, including but not limited to ground speed, tractor rpm, consumable life, terrain, and operator ability.**

**If installed, it is recommended to use the hydraulic width function when turning around at the end of rows to minimize potential collisions.**

## **G. MAINTENANCE PROCEDURES AND SCHEDULES**

### **DAILY MAINTENANCE:**

1. Check the general condition of the frame for hydraulic leaks, loose bolts, worn or damaged parts.
2. Check for worn consumables on the sweeper heads. Replace as needed.
3. Replace all worn, damaged or illegible labels.

### **YEARLY MAINTENANCE:**

1. Check and repair worn or damaged parts.
2. Inspect the wear status of blades and guards. Replace as needed.
3. Replace all worn, damaged or illegible labels.

### **STORAGE OFF SEASON:**

1. Wash and clean.

## H. TROUBLESHOOTING

The following is a list of problems that may occur, and some possible causes and remedies. If the solution to a problem is not apparent, contact your AGRISHIELD dealer or AGRISHIELD directly.

**Warning:** Do not check for hydraulic leaks with your hands. The high pressure in these lines will penetrate the skin and cause serious personal injury.

<i>Problem</i>	<i>Cause</i>	<i>Action</i>
Sweeper head is not spinning.	Motor is jammed from debris.	Shut off the tractor and de-pressurize hoses. Inspect the sweepers for debris, particularly between the motor mount and sweeping heads.