



RETURN TO:
SALES@AGRISHIELDLLC.COM

**SICKLE BAR TRIMMER
ORDER FORM**

SELECT SINGLE OR DOUBLE BARS AND SPECIFY BAR LENGTHS

**SINGLE BARS (CAN BE POSITIONED TO
HEDGE, TOP, OR SKIRT)**

**FINAL CANOPY/CUTTING
DIMENSIONS:**

W: _____

H: _____

**DOUBLE BARS (CAN BE POSITIONED TO
HEDGE AND TOP, OR HEDGE AND SKIRT)**

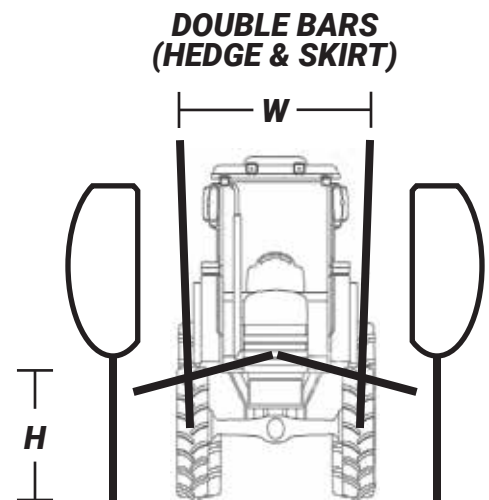
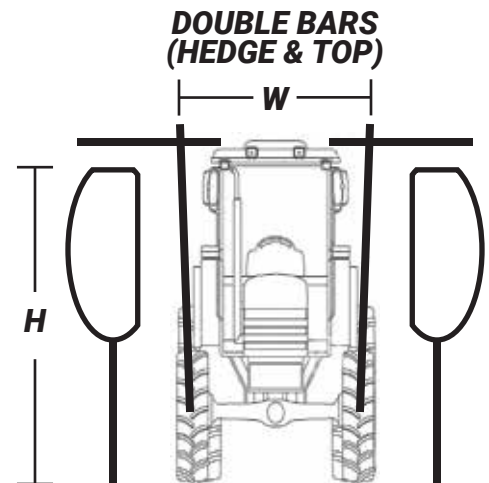
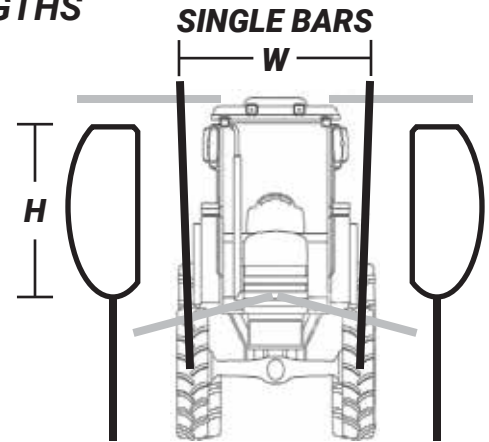
**FINAL CANOPY/CUTTING
DIMENSIONS:**

W: _____

H: _____

NOTE
**STANDARD CONFIGURATION IS 4.5' HEDGING
BARS AND 3.5' TOPPING OR SKIRTING BARS.**

**CUSTOM CONFIGURATIONS ARE AVAILABLE.
BAR LENGTHS ARE IN 6" INCREMENTS**



PLEASE PROVIDE ANY ADDITIONAL INFORMATION BELOW: