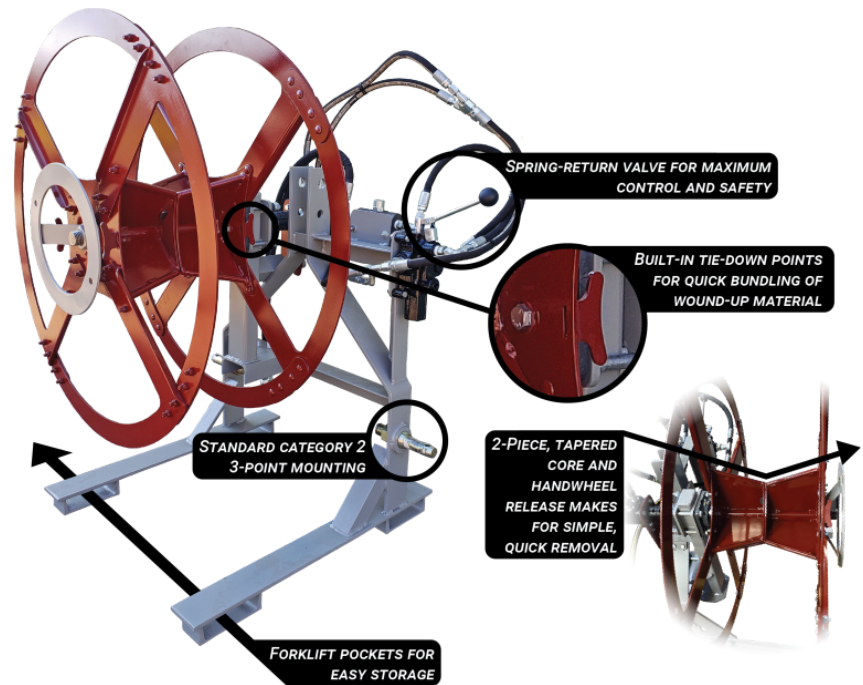


Agrishield

Drip Tape / Wire Winder

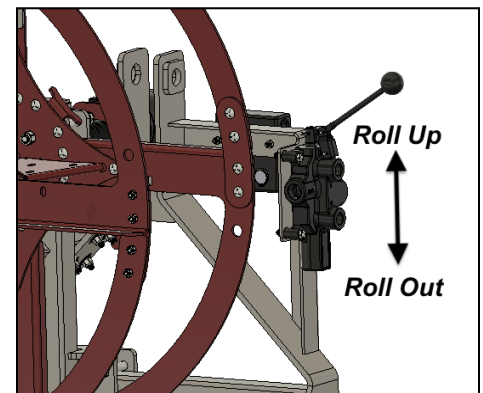
The Agrishield Drip Tape/Tube & Wire Winder, attachable via tractor's 3-point hitch, efficiently retrieves drip tape, poly tube, lay-flat, and wire, used in orchards, vineyards, ranches, and more. It simplifies the maintenance, reuse, or disposal of irrigation and vineyard wiring materials. Wind Up operation is straightforward: position at the hose connection, tie off the end, wind the desired section, secure the roll, and slide it off the tapered core. The implement facilitates rolling material back out, by utilizing the free spool (Roll Out) valve setting, with hydraulic line resistance averting excessive free spooling.



v

Features & Details

- **Safety:** Lever operated spring-to-center control valve ensures operator safety during use.
- Tapered Core for Quick Removal
- Controls: Feather Valve Handle for Adjustable Speed
- Capacity: ~3000' Poly Tube, 500' of 3" Layflat
- Category 2 Mounting, Forklift Pockets for Easy Storage
- Tractor Hydraulics
 - Remote Ports Required : 1 Set
 - Recommended Flow: 4-8 GPM



Valve Up, Roll Up - Hydraulically Powered
Valve Down, Roll Out - Allows Free Spool

Optional

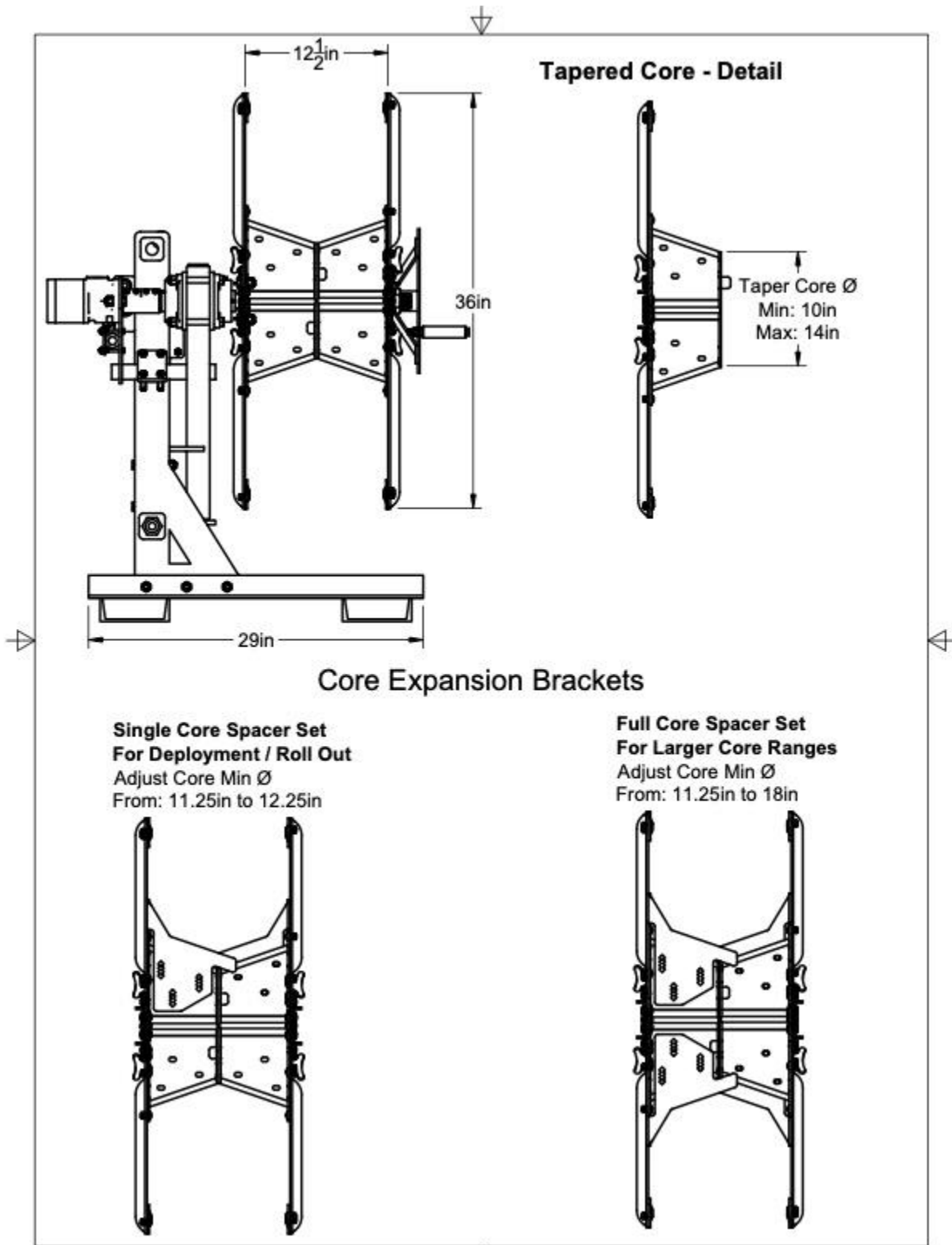
- *Flow Control Valve*
- *Single Core Spacer Set-* use during Roll Up to create spools with slightly larger inner diameters. Eases placing rolls back on for Roll Out.
 - Recommended for Tape/Tube Roll Out to compensate for spool shrinkage
- *Full Core Spacer Set-* widest range of core spacers for matching existing/purchased spools



7507 N. Podesta Lane, Linden CA 95236
 Sales: (209) 662-5063
 Email: sales@agrishieldllc.com
 Website: <https://agrishieldllc.com/>

Agrishield

Drip Tape / Wire Winder



AGRISHIELD

VINEYARD & ORCHARD EQUIPMENT

7507 N. Podesta Lane, Linden CA 95236

Sales: (209) 662-5063

Email: sales@agrishieldllc.com

Website: <https://agrishieldllc.com/>